

For ultra-high precision measurement of current: DC, AC, pulsed..., with galvanic separation between primary and secondary. Separate magnetic head and measuring electronics provides high flexibility.



Features

- Closed loop fluxgate
- Split design - separate head and rack electronics.
- Analog output on 15-pin D-sub female output connector
- Status/interlock port on 9-pin D-sub male output connector
- Secondary current monitoring on BNC connector
- 4 mm banana sockets for secondary current output
- Full-featured indicator panel.

Advantages

- Very high accuracy
- Excellent linearity
- Extremely low temperature drift
- Wide frequency bandwidth
- High immunity to external fields
- No insertion losses
- Low noise on output signal
- Low noise feedback to primary conductor.

Applications

- Feedback element in high-precision, high-stability power supplies
- Calibration unit
- Absolute current standard reference
- Test and calibration of current sources
- Current extender for power systems
- Differential current measurement on power line
- Metrology applications.

Standards

EMC:

- EN 61000-6-2: 2019
- EN 61000-6-3: 2007 + A1 (2011)
- EN 61326-1: 2013

Safety:

- IEC 61010-1: 2010/AMD1: 2016.

Application Domains

- Industrial
- Laboratory
- Medical.

Safety

This transducer must be used in limited-energy secondary circuits according to IEC 61010-1.



Caution

This transducer must be used in electric/electronic equipment with respect to applicable standards and safety requirements in accordance with the manufacturer's operating instructions.
If the device is used in a way that is not specified by the manufacturer, the protection provided by the device may be compromised. Always inspect the electronics unit and connecting cable before using this product and do not use it if damaged. Mounting assembly shall guarantee the maximum primary conductor temperature, fulfill clearance and creepage distance, minimize electric and magnetic coupling.



Caution, risk of electrical shock

Use caution during installation and use of this product; certain parts of the module can carry hazardous voltages and high currents (e.g. primary conductor).

Ignoring this warning can lead to injury and or/or cause serious damage.

De-energize all circuits and hazardous live parts before installing the product.

All installations, servicing operations and use must be carried out by trained and qualified personnel practicing applicable safety precautions.

This transducer is a built-in device, no maintenance required; cleaning by dry compressed air is authorized.

This transducer is a build-in device, whose hazardous live parts must be inaccessible after installation.

This transducer must be mounted in a suitable end-enclosure.

Besides make sure to have a distance of minimum 30 mm between the primary conductor (return bar) and the transducer and other neighboring components.

Main supply must be able to be disconnected.

Always inspect the current transducer for damage before using this product.

Never connect or disconnect the power while the primary circuit is connected to live parts.

Never connect the output to any equipment with a common mode voltage to earth greater than 30 V.

Always wear protective clothing and gloves if hazardous live parts are present in the installation where the measurement is carried out.

Safe and trouble-free operation of this transducer can only be guaranteed if transport, storage and installation are carried out correctly and are carried out with care.

The current transducer shall not be opened or modified.

If not working, the current transducer shall be replaced by an equivalent device.

In case of main supply cable replacement, make sure to use similar cable to guaranty the safety; please refer to the user manual for more information.



ESD susceptibility

The product is susceptible to ESD damage if secondary connectors pins are touched without being properly grounded.

Remark

Installation of the transducer must be done unless otherwise specified on the datasheet, according to LEM Transducer Generic Mounting Rules. Please refer to LEM document N°ANE120504 available on our Web site: <https://www.lem.com/en/file/3137/download/>.

Mains INPUT

Parameter	Symbol	Unit	Value	Comment
Mains input voltage	U_c	V	100-240 V AC ($\pm 10\%$)	IEC-type inlet socket OVCII and PD2
Mains input frequency	f	Hz	50/60	
Fuses		At	2.5/240 V AC	Internal fuses, not user-replaceable
Power consumption	P_c	W	76	ITZ 2000-S; ITZ 2000-SB; ITZ 2000-SPR; ITZ 2000-SBPR; ITZ 5000-S; ITZ 5000-SB
			163	ITZ 6100-S
			137	ITZ 10000-S; ITZ 10000-SB
			202	ITZ 16000-S; ITZ 16000-SB
			300	ITZ 24000-S; ITZ 24000-SB

Insulation coordination

Parameter	Symbol	Unit	Value	Comment
Rated insulation RMS voltage, basic insulation	U_{Nm}	V	4000	IEC 61010-1 conditions - over voltage cat III - pollution degree 2
Rated insulation RMS voltage, reinforced insulation	U_{Nm}	V	2000	IEC 61010-1 conditions - over voltage cat III - pollution degree 2
RMS voltage for AC insulation test, 50/60 Hz, 1 min	U_d	kV	16.2	
Impulse withstand voltage 1.2/50 μ s	U_{Ni}	kV	29.8	
Clearance (pri. - sec.)	d_{Ci}	mm	40	Shortest distance through air
Creepage distance (pri. - sec.)	d_{Cp}	mm	40	Shortest path along device body
Comparative tracking index	CTI		100	

Environmental and mechanical characteristics

Parameter	Symbol	Unit	Min	Typ	Max	Comment
Ambient operating temperature HEAD	T_A	$^{\circ}$ C	0		55	
Ambient operating temperature ELECTRONICS	T_A	$^{\circ}$ C	10		40	
Ambient storage temperature HEAD and ELECTRONICS	$T_{A\text{st}}$	$^{\circ}$ C	-20		85	
Maximum primary conductor temperature	$T_{B\text{max}}$	$^{\circ}$ C			100	
Relative humidity	RH	%	20		80	Non-condensing
Environmental conditions						Indoor
Cooling conditions						Natural convection
Dimensions ELECTRONICS		mm				482 x 88 x 430 see drawing (page 13)
Dimensions HEAD						see drawing (page 13)
Altitude		m			2000 ¹⁾	
Mass rack electronics	m	kg		9.2		
Mass head	m	kg		20		

Note: ¹⁾ Insulation coordination at 2000 m.

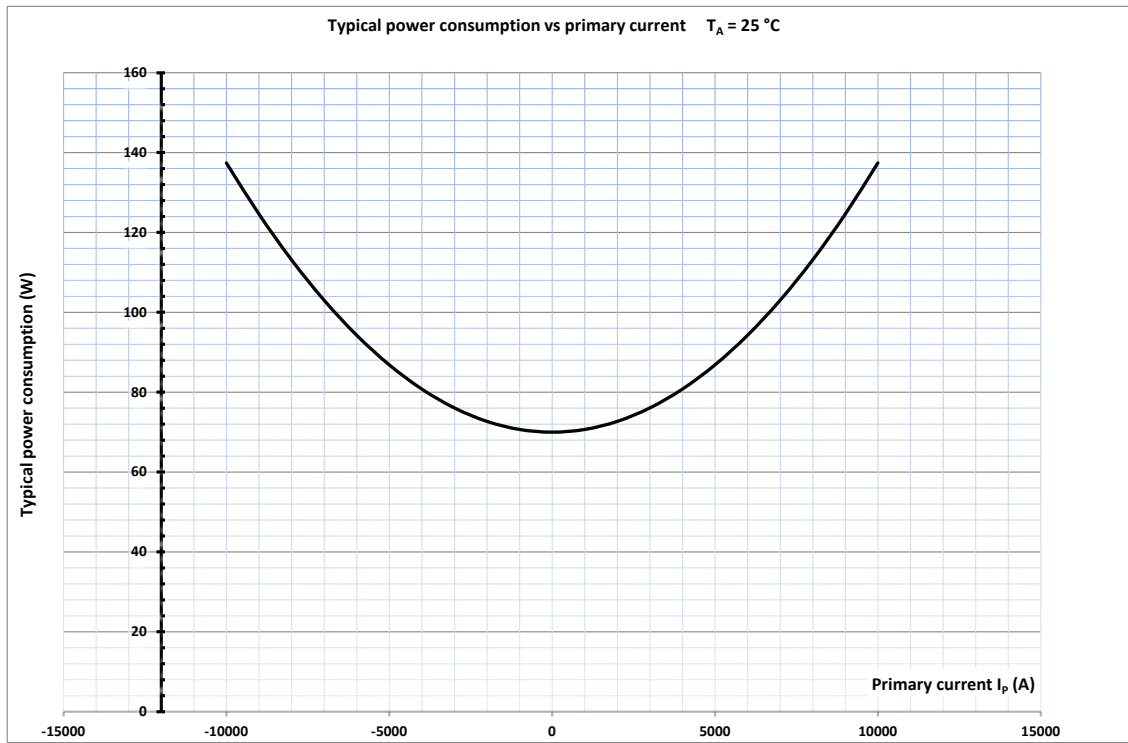
Electrical data

 At $T_A = 25\text{ °C}$ unless otherwise noted.

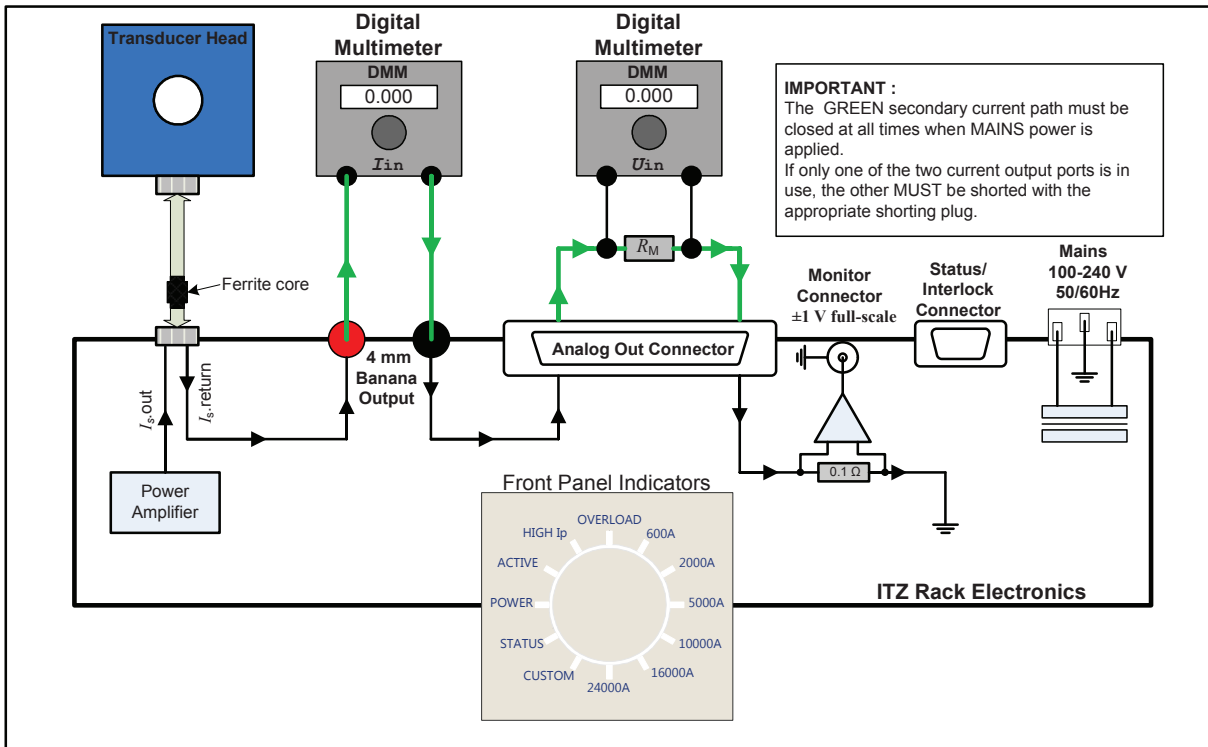
Parameter	Symbol	Unit	Min	Typ	Max	Comment
Primary continuous direct current	$I_{P\text{NDC}}$	A	-10000		10000	
Primary nominal RMS current	I_{PN}	A			7070	
Primary current, measuring range	I_{PM}	A	-10000		10000	
Measuring resistance	R_M	Ω	0		1.5	
Secondary current	I_S	A	-2		2	
Turns ratio	N_P/N_S			1:5000		
Resistance of secondary winding	R_S	Ω		11		
Primary withstand peak current (max) ¹⁾	$\hat{I}_{P\text{max}}$	kA	30			
Mains supply RMS voltage		V	100		240	
Rated power supply frequency	f	Hz		50/60		
Power consumption $I_P = 0\text{ A}$ @ Mains supply = 230 V RMS	P_C	W VA		70 157		Average Peak
Power consumption $I_P = I_{P\text{NDC}}$ (10000 A) @ Mains supply = 230 V RMS	P_C	W VA		137 203		Average Peak
RMS noise current 0 ... 10 Hz ²⁾	I_{no}	ppm			0.1	
RMS noise current 0 ... 10 kHz ²⁾					8	
RMS noise current 0 ... 100 kHz ²⁾					20	
Re-injected RMS noise on primary bus bar 0 ... 100 kHz		μV			2	
Electrical offset current ²⁾	I_{OE}	ppm	-2		2	
Temperature coefficient of I_{OE} ²⁾	TCI_{OE}	ppm/K	-0.1		0.1	10 °C .. 40 °C
Offset stability ²⁾		ppm/month	-1		1	
Linearity error ²⁾	ε_L	ppm	-5		5	
Delay time @ 90 % of the final output value $I_{P\text{NDC}}$ step	t_{D90}	μs			2	With a $di/dt \geq 100\text{ A}/\mu\text{s}$
Frequency bandwidth ($\pm 3\text{ dB}$)	BW	kHz	0	20		Small-signal bandwidth, 1 % of $I_{P\text{NDC}}$
di/dt accurately followed	di/dt	A/ μs	100			

- Notes:**
- ¹⁾ Single pulse of 100 ms only, not AC. The transducer may require a few seconds to return to normal operation when autoreset system is running.
 - ²⁾ All ppm figures refer to full-scale which corresponds to a secondary current (I_S) output of 2 A.

Typical power consumption



System overview

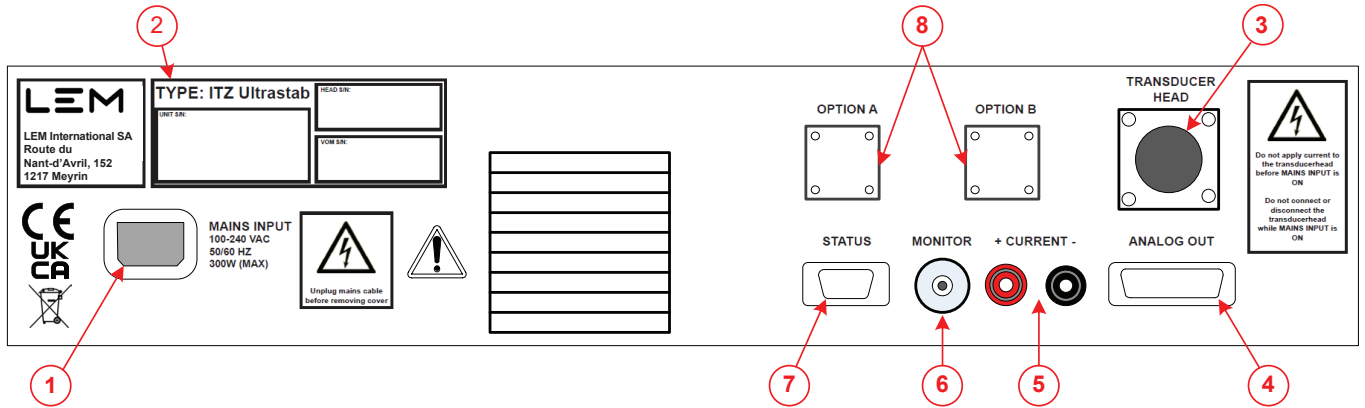


Front panel indicators

When the mains supply voltage is set up, the rack electronics starts and initializes itself. After this process, the LEDs POWER, STATUS and 10000 A light up.
The LEDs present on this panel display information about conditions which affect the operation of the transducer. They are defined in the following table:

LED	Description
POWER (blue LED)	This LED is lit when the mains supply voltage is present
ACTIVE (yellow LED)	This LED is lit when I_p is higher than approximately 1 % of I_{PNDC}
HIGH I_p (yellow LED)	This LED is lit when I_p is higher than approximately 105 % of I_{PNDC}
OVERLOAD (red LED)	This LED is lit when the transducer head saturates due to excessive primary current.
600 A ... 24000 A (yellow LED)	These LEDs are lit when a transducer head with the corresponding full-scale range is connected to the rack electronics. For ITZ 10000-S, only LED 10000 A is lit, and the others may be ignored.
CUSTOM (yellow LED)	Reserved for a custom head configuration.
STATUS (green LED)	This LED is lit when the unit status is OK (Normal operation).

Back panel

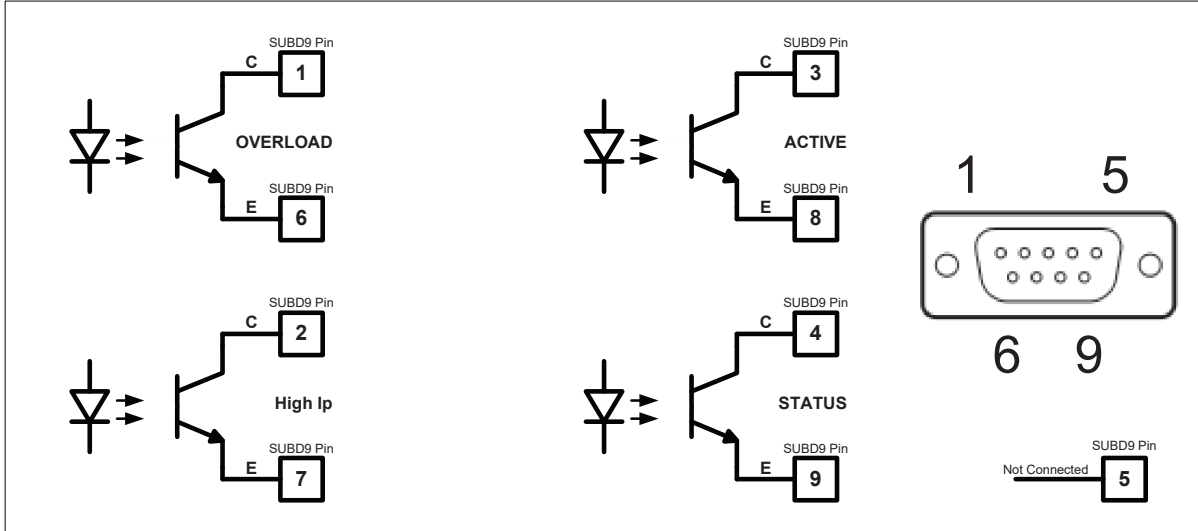


Reference	Description
1	IEC power inlet: This connector accepts a standard IEC power cord (supplied)
2	Type / Serial number plate. Three individual S/Ns may be listed here: One for the ITZ electronics, one for the matching head and one (optional) for the installed voltage output module
3	Transducer head: Connection to the transducer head
4	Analog out: Output connection to a DMM or other equipment, 15-pin D-Sub female UNC 4-40 screw lock
5	Current \pm : Secondary current output
6	Monitor: Voltage output with a buffered replica of the secondary current
7	Status/Interlock signal outputs, 9-pin D-Sub male UNC 4-40 screw lock
8	Option A+B: These positions are for future expansion or customization (not used)

Status /Interlock Port - electrical specification

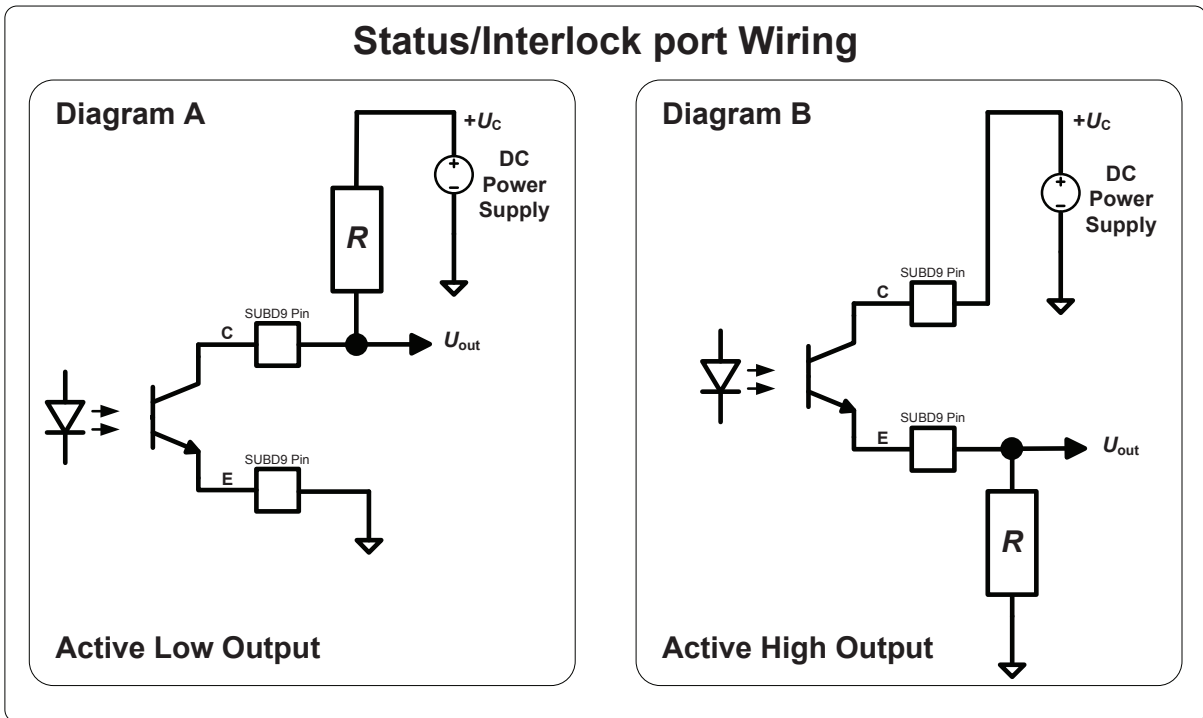
All signals on the Status/Interlock port are optically isolated, Photocouplers type, floating Collector and Emitter. Four signals are present on the port, each having two dedicated floating pins in the SUBD9 Male connector:

- . Collector (C)
- and
- . Emitter (E)



Status /Interlock port wiring

Depending on how each signal is wired, it can be “Active Low” or “Active High” as shown below:



In the Diagram A Active Low Output, the output signal U_{out} switches to GND when the corresponding LED is ON.
 In the Diagram B Active High Output, the output signal U_{out} switches to $+U_c$ when the corresponding LED is ON.
 When the output signal U_{out} is switched to GND, its value is lower than 0.2 V.
 When the output signal U_{out} is switched to $+U_c$, its value is equal to $+U_c$.

In case diagram A, the following table shows how each individual output signal acts:

Output signal	U_{out}	Description
OVERLOAD	< 0.2 V	The transducer head is saturated due to excessive primary current
	+ U_C	The transducer head is not saturated
High I_p	< 0.2 V	The primary current is higher than 105 % of nominal full-scale output
	+ U_C	The primary current is lower than 105 % of nominal full-scale output
ACTIVE	< 0.2 V	The primary current is higher than approximately 1 % of nominal full-scale output
	+ U_C	The primary current is lower than approximately 1 % of nominal full-scale output
STATUS	< 0.2 V	When the unit status is OK (Normal operation)
	+ U_C	When the unit status is not OK (Supply fault, over-temperature conditions and Current overloads or No detected head)

In case diagram B, the following table shows how each individual output signal acts:

Output signal	U_{out}	Description
OVERLOAD	+ U_C	The transducer head is saturated due to excessive primary current
	< 0.2 V	The transducer head is not saturated
High I_p	+ U_C	The primary current is higher than 105 % of nominal full-scale output
	< 0.2 V	The primary current is lower than 105 % of nominal full-scale output
ACTIVE	+ U_C	The primary current is higher than approximately 1 % of nominal full-scale output
	< 0.2 V	The primary current is lower than approximately 1 % of nominal full-scale output
STATUS	+ U_C	When the unit status is OK (Normal operation)
	< 0.2 V	When the unit status is not OK (Supply fault, over-temperature conditions and Current overloads or No detected head)

The power supply voltage + U_C must be between 4 V and 60 V DC and the resistor value must be chosen between a minimum value R_{min} and a maximum value R_{max} calculated by using the following equations:

$$R_{min} \text{ (k}\Omega\text{)} = \frac{+U_C}{3.4} \text{ and } R_{max} \text{ (k}\Omega\text{)} = \frac{+U_C}{1.7}$$

Some recommended standard values of R are given in the following table:

Power supply voltage + U_C	R_{min} (k Ω)	R_{max} (k Ω)	R Standards values $\pm 5\%$
5 V	1.5	3	1.8 k Ω or 2.2 k Ω
12 V	3.5	7	4.7 k Ω or 6.8 k Ω
24 V	7	14	10 k Ω or 12 k Ω

Absolute maximum ratings

Parameter	Symbol	Specification	Unit
Power supply voltage	+ U_C	60	V
Maximum Collector-Emitter Voltage, Off-state	$U_{CE \text{ off max}}$	60	V
Maximum reverse Collector-Emitter Voltage, Off-state	$U_{CE \text{ off max}}$	5	V
Maximum Collector-Emitter Current, On-state	$I_{CE \text{ ON max}}$	10	mA

Stresses beyond those listed under absolute maximum ratings may cause permanent damage to the status/interlock signal outputs.

Sweep function during overload status

The overload occurs when the primary current I_p exceeds a trip level such that the fluxgate detector becomes completely saturated and, consequently, the transducer will switch from normal operation to overload mode.

This trip level is guaranteed to be greater than 110 % of $I_{PN DC}$ and its actual value depends on operating conditions such as temperature and measuring resistance.

When this happens, the ITZ rack electronics will automatically begin to sweep in order to lock on to the primary current again and the measuring can resume when the primary current returns in the nominal range between $-I_{PN DC}$ and $+I_{PN DC}$.

In sweep mode, the secondary current will be a slope between $-2 A$ and $+2 A$.

Thermal protection

The ITZ 10000-S has thermal shutdown circuitry that protects the electronics from damage.

The thermal protection circuitry disables the measuring circuit when the rack electronics temperature reaches approximately 65 °C and allows the transducer to cool. When this occurs, the status LED is switched off.

When the rack electronics temperature cools to approximately 60 °C, the measuring circuit is automatically re-enabled and the status LED is again lit.

Over current protection - Electrical specifications

The over current occurs when the primary current exceeds 120 % of $I_{PN DC}$.

To detect the over current with primary AC, the secondary current is full-wave rectified and is time-averaged by a low-pass filter. Depending on the frequency range of the primary current, two cases appear:

- Low frequency range: DC – 1.6 Hz (over current slow)

In this case, the over current trip level is set to 120 % of $I_{PN DC}$.

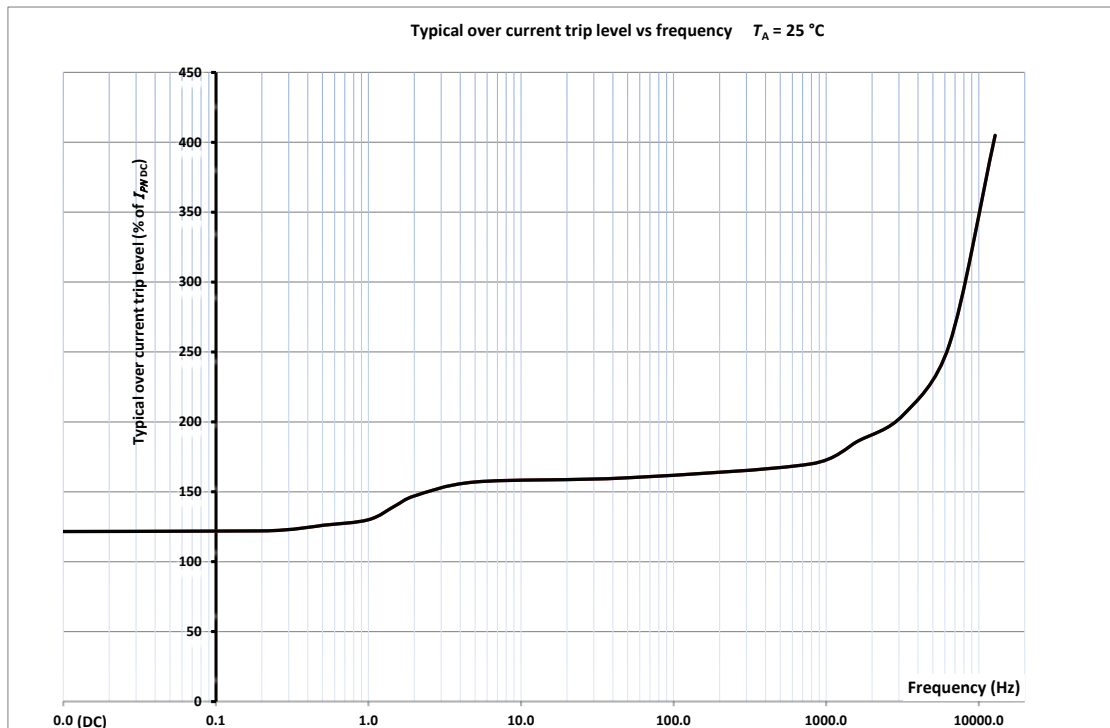
The secondary current is tracked until the primary AC peak exceeds this trip level. Then, the rack electronics shut down the measuring circuit and wait until the primary AC peak becomes lower than the set trip level.

- High frequency range: 1.6 Hz – 1.6 KHz (over current fast)

In this case, the over current trip level is set to 160 % of $I_{PN DC}$.

The secondary current is tracked until the primary AC peak exceeds this trip level. Then, the rack electronics shut down the measuring circuit and wait until the primary AC peak becomes lower than the set trip level.

The frequency response characteristics of the over current trip level with a sine-wave primary AC is illustrated by the following curve:



The table shown below summarizes various frequency values and the typical value of over current trip level to detect over current state:

Primary current frequency (Hz)	Typical over current trip level to detect over current state
DC (0 Hz))	120 % of $I_{PN DC}$
1	130 % of $I_{PN DC}$
1.5	140 % of $I_{PN DC}$
50	160 % of $I_{PN DC}$
800	170 % of $I_{PN DC}$
1600	186 % of $I_{PN DC}$

Under these conditions:

- The signal Status (Contact between Pin 4:C and Pin 9:E) switches off, this signal becomes open (No current from collector to emitter) to indicate that the unit is not OK.
- The status green LED located on the front panel switches off (fault state)
- The transducer is protected against damage that the over current primary AC may cause to the electronics.

The transducer will automatically starts again to work when the primary AC peak becomes lower than the trip level indicated in the table above.

Transducer head description

Connect the transducer head to the electronics rack using the supplied transducer head cable.
The side of cable where there is the ferrite must be connected to the rack electronics.
The transducer head cable is available in three lengths: 10, 20 and 30 meters.

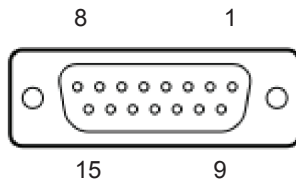
For more information, see section "ITZ mandatory accessories" on [page 12](#).

Analog output connector

Normally the provided analog output cable should be used. It is also possible to configure your own output cable, bearing the following description in mind.

The female 15-pin D-Sub connector Analog out connector contains the following signals:

1. Current return
2. Current return
3. Current return
4. No connection
5. No connection
6. Ground
7. No connection
8. No connection
9. Current out
10. Current out
11. Current out
12. No connection
13. No connection
14. No connection
15. No connection



The pins 1 to 3 are internally shorted by rack electronics. It is the same for pins 9 to 11.

Details of further considerations relating to connect the analog output connector directly to a current measuring device can be found in the ITZ FLEX ULTRASTAB user guide.

Secondary current monitoring

The rack electronics incorporates a 0.1 Ω resistance in series with the measuring resistance for the monitoring of the secondary current.

A BNC connector located on the rear panel provides a low-precision voltage output ±1 V full-scale which indicates a secondary current flowing through the measuring resistance and the 0.1 Ω resistance.

The voltage on this connector is equal to $(I_p (A) \times 0.1 \Omega \times 5) / 5000$ (Volt).

As one example, if I_p is 10000 A, the voltage on this connector is 1 V. Similarly, if I_p is -10000 A, the voltage on this connector is -1 V.

As another example, if I_p is 5000 A, the voltage on this connector is 0.5 V. Similarly, if I_p is -5000 A, the voltage on this connector is -0.5 V.

Delivery package

The LEM ITZ 10000-S FLEX ULTRASTAB package contains by default:

- 19-inch rack-mount ITZ FLEX ULTRASTAB electronics
- Transducer head
- European (Schuko CEE 7/7) and US/Japanese mains cables, 2 m each (with three-pole IEC C13 female connector).
- Short-plug for 4 mm banana terminals and 15-pin D-Sub short-plug for analog output connector (back panel of electronics rack)

Mandatory accessories

The 2 following accessories have to be separately ordered as per the table hereafter, otherwise the ITZ FLEX ULTRASTAB can not operate without them:

- Transducer head cable (interconnecting cable between transducer head and electronics rack)
- Analog output cable

ITZ mandatory accessories	Available material	Available length	Part number
Transducer HEAD cable	Non-Halogeneous	10 m	71.16.13.001.0
	Non-Halogeneous	20 m	71.16.17.001.0
	Non-Halogeneous	30 m	71.16.20.001.0
	Halogeneous	10 m	71.16.13.000.0
	Halogeneous	15 m	71.16.15.000.0
	Halogeneous	20 m	71.16.17.000.0
	Halogeneous	25 m	71.16.19.000.0
	Halogeneous	30 m	71.16.20.000.0
Analog output cable	Non-Halogeneous	1.5 m	71.17.E7.001.0

* Other values might be possible upon request to LEM.

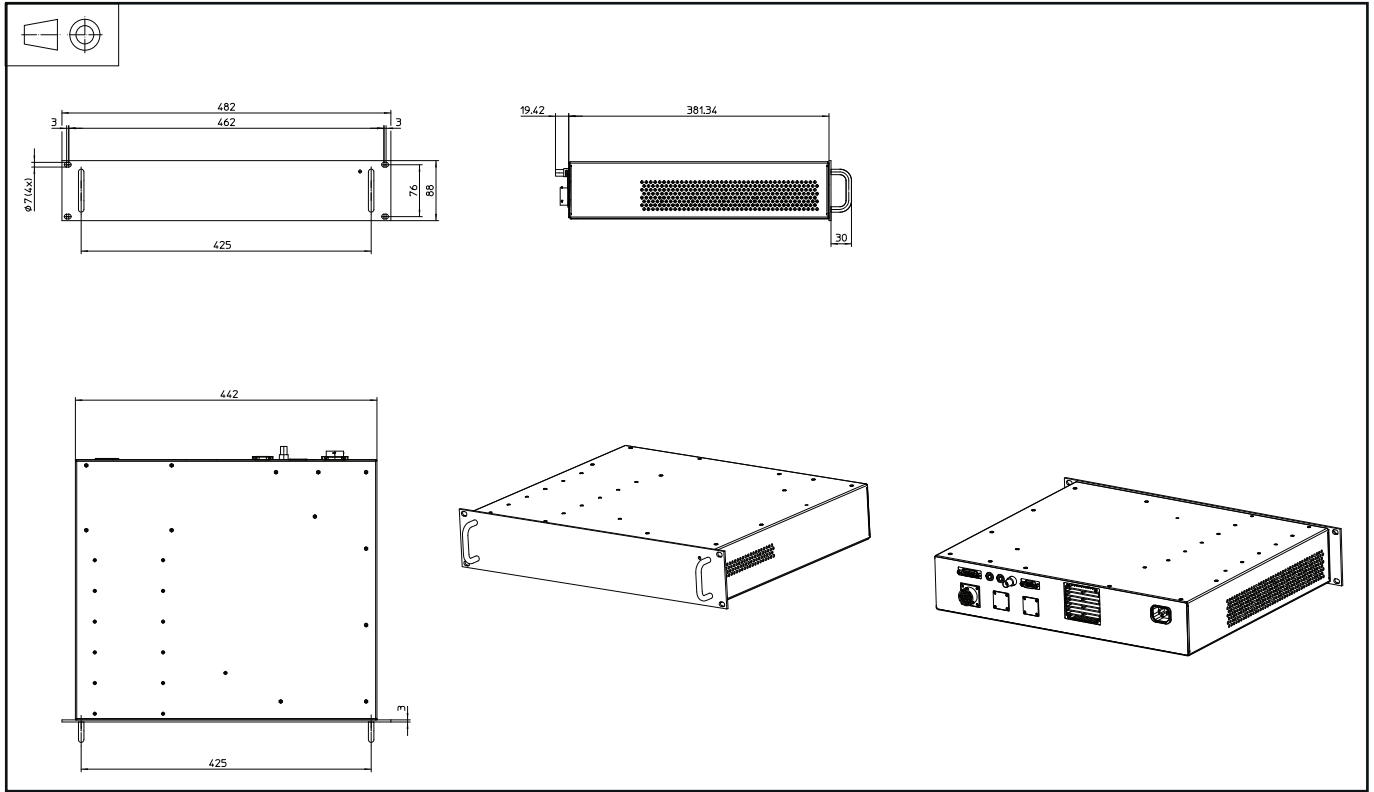
Optional

Calibration can be separately ordered as per the table hereafter:

- Calibration with certificate in ISO 17025 certificated laboratory

ITZ calibration (optional)	Available calibration
From -10000 A to +10000 A in differential method	5 or 11 points or Special

Dimensions - Rack electronics (in mm, general tolerance ± 1.5 mm)



Dimensions - Measuring head (in mm, general tolerance ± 1.5 mm)

